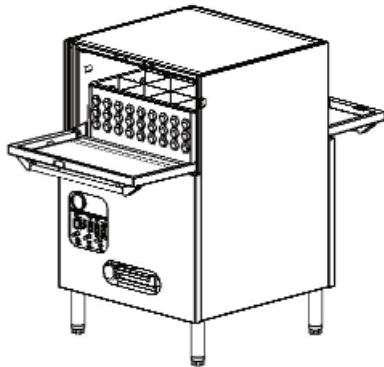


## **GW-40-D BarMaster**

### AUTOMATIC DOUBLE DOOR GLASSWASHER

#### **DESIGN**

Automatic, chemical sanitizing glasswasher with timed wash and rinse cycles. Fully automatic operation with power on/off button. Pass through doors make it accessible from the waitstaff side and the bartender side and can be operated from each side. Capacity is 40- 20"x20" racks per hour. Designed to save energy and water. Quiet operation.



#### **STANDARD EQUIPMENT**

- 40 racks per hour
- 1.4 gallon per cycle
- 11" wash clearance
- Electromechanical controls
- Start button and cycle indicator light on front and back side
- Automatic fill, wash, drain, and rinse cycles
- S/S frame, legs and feet
- Squared off front and rear door panels
- Physical stop in unit assures correct placement of rack
- Door safety switch
- Adjustable bullet feet
- EZ-Clean™ wash and rinse arms
- Multiple cycle selection 90 seconds, 150 seconds
- 115V electrical connection
- Side panels

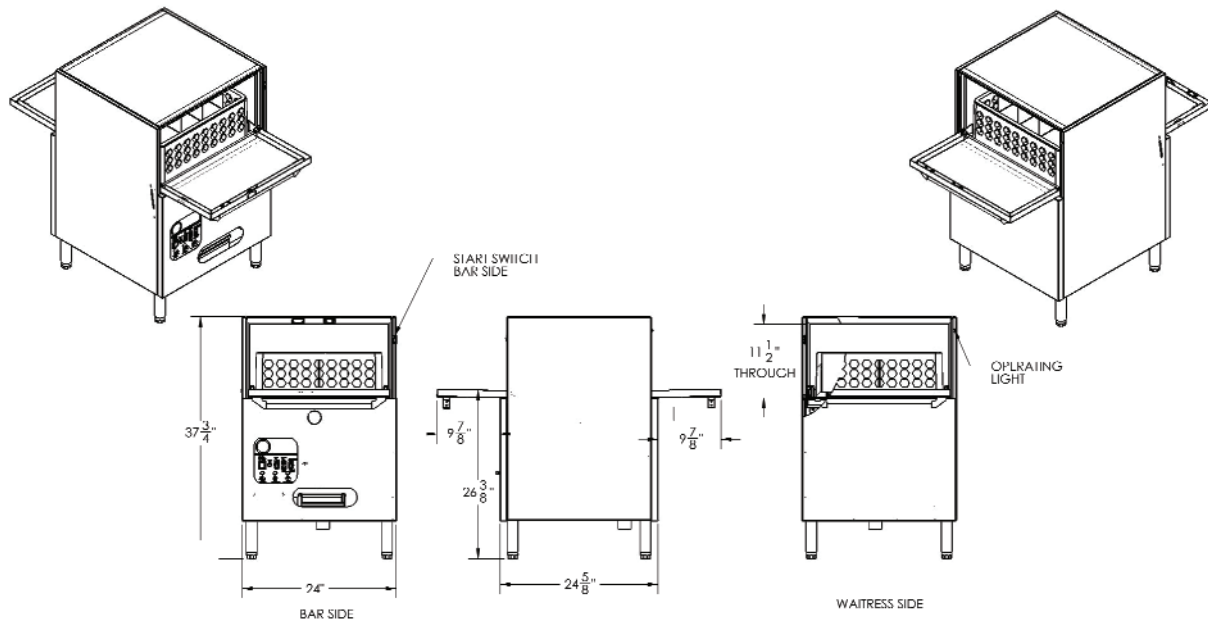
#### **OTHER SPECIFICATIONS**

- Sanitizer required:
  - Sodium Hypochlorite 50 ppm
  - Iodophor 12.5 ppm
- Operating temperatures:
  - 120°F minimum (140°F recommended)

#### **OPTIONAL EQUIPMENT**

- Heated maintenance tank to maintain 120°F-140°F water





Note: For all rough in connections see Installation and Layout Detail drawing

### **SPECIFICATIONS**

**CONSTRUCTION-** Hood and tank constructed of type 304 S/S. Hood unit of all welded seamless construction. S/S frame, legs and feet. All internal castings are non-corrosive lead free nickel alloy or bronze.

**CONTROLS-** Electro-mechanical controls are simple to use and located in a splash proof box.

**WASH/RINSE SYSTEM-** Rotating lower S/S wash arms. End caps are easily removable for cleaning.

**DRAIN SYSTEM-** Drain valve externally controlled.

<b>Capacity Per Hour</b>	<b>Tank Capacity</b>	<b>Pump Motor Size</b>	<b>Optional Maintenance Tank</b>	<b>Water Inlet Temperature</b>	<b>Water Usage</b>	<b>Water Requirements</b>
40 racks	1.5 gals	1 hp	1.8 kW	120°F minimum 140°F recommended	1.4 gal./rack 56 gals./hr.	6 gpm max. flow 20-25 psi flow supply
<b>Exhaust Hood Requirement</b>	<b>Time Cycle</b>	<b>Peak Rate Drain Flow</b>	<b>Shipping Weight</b>	<b>Current Draw</b>	<b>Washer with Optional Maintenance Tank</b>	
none	Standard-90 sec. Extreme-150 sec.	9 gals./min.	210 lbs.	115v/1PH/HZ.....	14.0.....	16.0