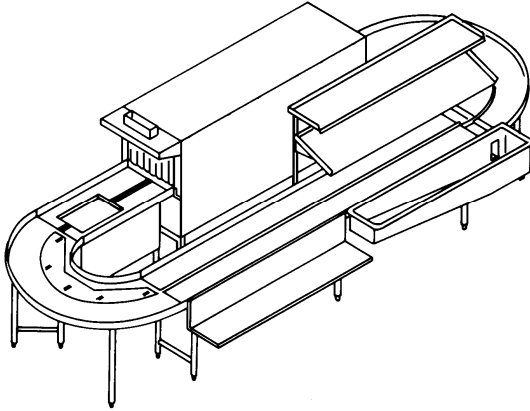


Rack-A-Matic

WAREWASHING SYSTEM



DESIGN

Each Rack-A-Matic Warewashing System custom designed and built to your specific operation. Start with an Insinger Admiral, Speeder or Super Series dishwasher and then add optional equipment to meet your needs. All Rack-A-Matics can be furnished with any type of shelving, disposer, troughs, tray rests, conveyor system or security packages. See individual spec sheets for the Admiral, Speeder or Super Series for more information on each dishwasher component.

STANDARD EQUIPMENT

- Stainless steel conveyor drive chain
- Two 180° curve systems
- 14 gauge stainless steel pan system
- Stainless steel leg assemblies with stainless steel feet
- Field joints
- Factory supervision of assembly (Continental U.S.)

OPTIONAL ACCESSORY EQUIPMENT

- Stainless steel double adjustable overhead shelf (one slanted, one flat) with supports
- Garbage trough
- Garbage trough with rollers
- Curved landing shelf
- Waste disposer unit complete with control panel package (which will be fitted to garbage trough area)
- Drying tunnel
- Pre-rinse spray
- Remote control switch
- Security package

